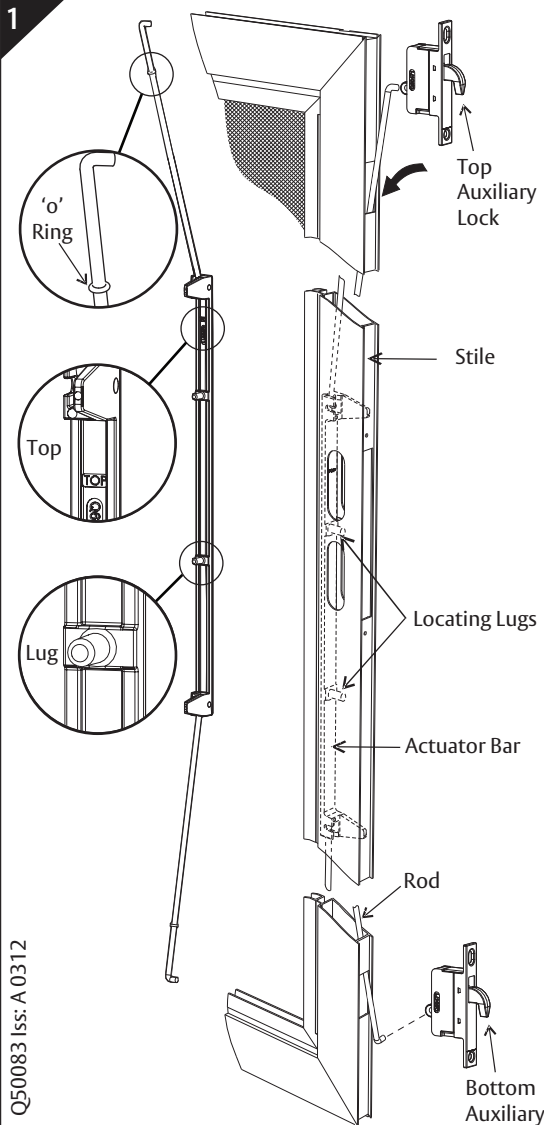


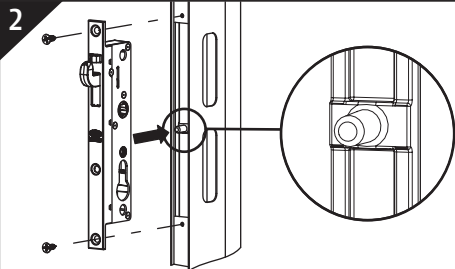
1



Fitting the Actuator Bar and Auxiliary Locks
Note: For ease of fitment remove door from the door frame.
 - Assemble the Actuating Bar and Rods as shown prior to fitting to the door stile. With the "TOP" mark facing the front.
 - Keep the locating lugs of the Actuating Bar facing the front edge of the door.
 - Insert the Actuator Bar and rod assembly through the top cut-out and slide it through the door stile.
 - With the Auxiliary locks in the locked position (as shown), **Important:** Connect the top Auxiliary lock first to the end of the rod followed by the bottom Auxiliary lock.
 - Then push them both into the door stile.

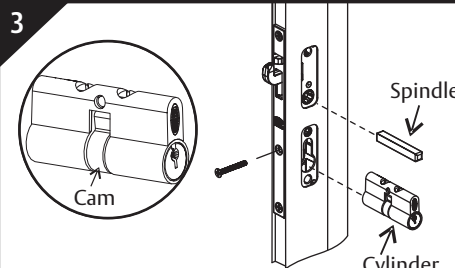
Q50083 Iss: A 0312

2



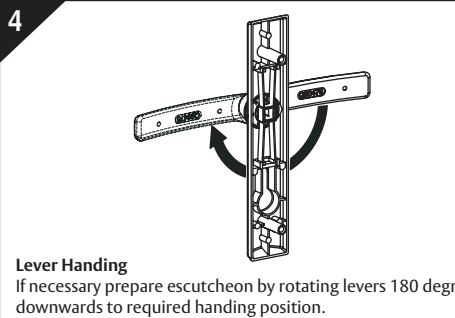
Fitting Central Lock
 With the central lock in the factory set **Deadlock** position, insert into the stile. Locate and engage the lug on the Actuating Bar with the lock, then secure with screws.
Important: The lock must be installed in the position shown, product warranty cannot be assured if installed upside down.

3



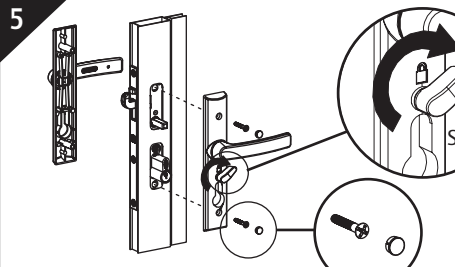
Fitting Cylinder & Spindle
 - Insert cylinder so cam turns towards front of door.
 - Loosely fix cylinder with screw.
 - Then insert spindle into lock body.

4



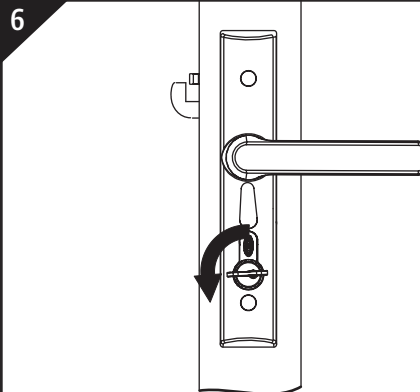
Lever Handling
 If necessary prepare escutcheon by rotating levers 180 degrees downwards to required handing position.

5



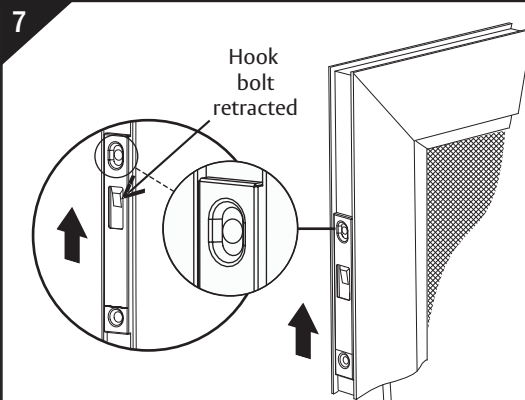
Fitting Escutcheon
 - Fit escutcheon with snib on the inside face of the door.
 - Ensure snib is to 90 degrees in the direction of the lever.
 - Secure inside and outside escutcheons with screws and screw hole plugs.

6



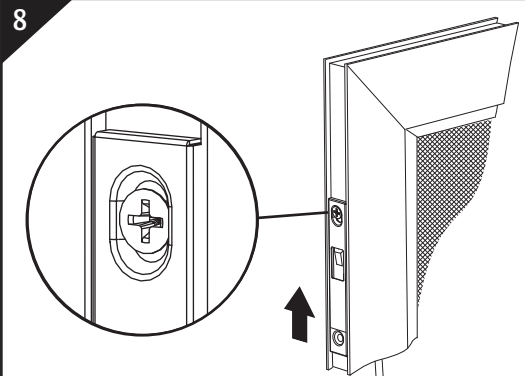
Passage Mode
 With the central lock in the factory set **Deadlock** position, insert key and rotate 90 degrees away from the lever to the unlocked position or **Passage** mode. Snib rotates to the vertical position.

7



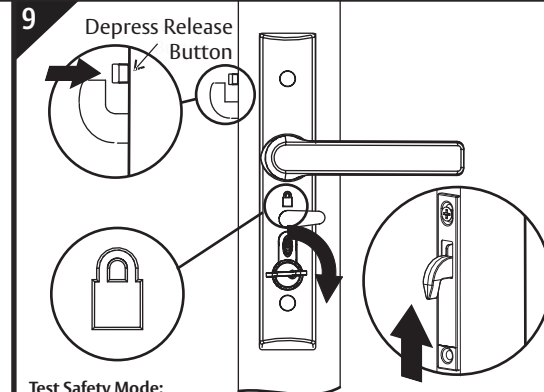
Drilling Hole in Top and Bottom Auxiliary Locks
 - Gently push the top Auxiliary lock upwards to retract the hook bolt.
 - Then drill a 3mm hole in the centre of the slotted hole.
 - Repeat this step for the bottom Auxiliary lock.

8



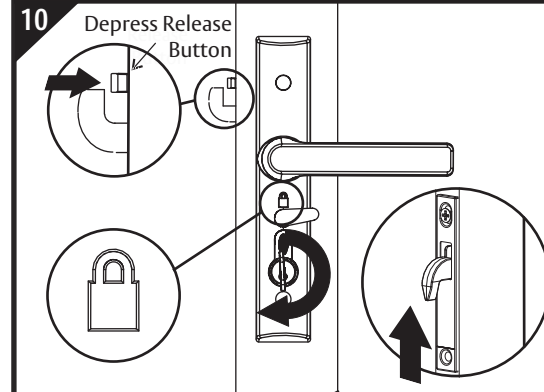
Fixing Screw to Top and Bottom Auxiliary Locks
 - Gently push the top Auxiliary lock upwards to retract the hook bolt.
 - Lightly fix screw in slotted hole.
 - Repeat this step for the bottom Auxiliary lock.

9



Test Safety Mode:
Important: Release button above hook bolt must be depressed.
Rotate key or snib 90 degrees towards the lever:
 - Padlock symbol is visible.
 - Inside and outside levers are locked.
 - Auxiliary hook bolts are thrown and locked, push hook bolts upwards to check.
 - Repeat **STEP 6** to return lock to Passage mode.

10

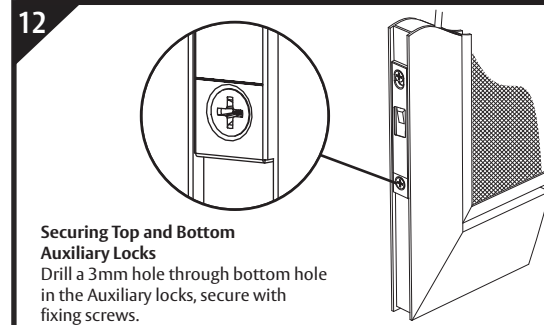


Test Deadlock Mode:
Important: Release button above hook bolt must be depressed.
Rotate key 180 degrees towards the lever:
 - Snib rotates 90 degrees towards the lever, padlock symbol is visible.
 - Inside and outside levers are locked.
 - Auxiliary hook bolts are thrown and locked, push hook bolts upwards to check.

11

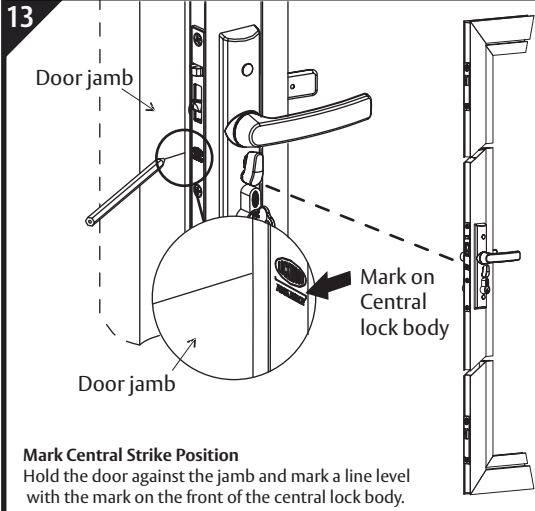
Important: Reposition top and bottom Auxiliary locks if necessary to achieve Safety and Deadlock modes, then fully tighten fixing screws in **STEP 8**.

12



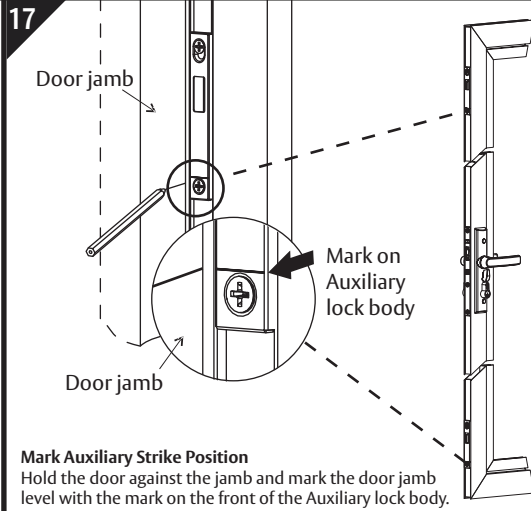
Securing Top and Bottom Auxiliary Locks
 Drill a 3mm hole through bottom hole in the Auxiliary locks, secure with fixing screws.

Timber Door Central Strike Installation (Standard 19mm door)

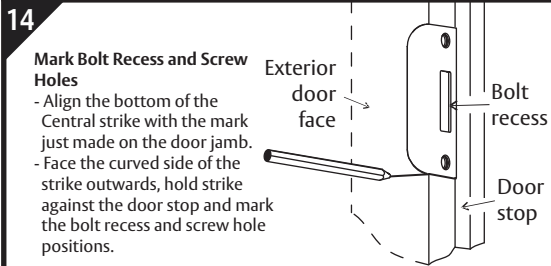


Mark Central Strike Position
Hold the door against the jamb and mark a line level with the mark on the front of the central lock body.

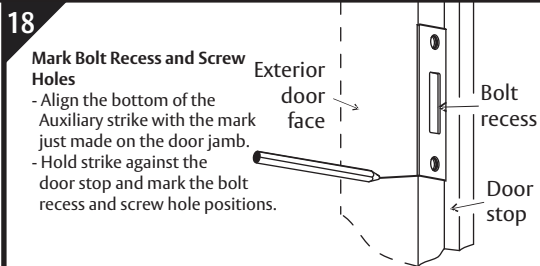
Timber Door Auxiliary Strike Installation (Standard 19mm door)



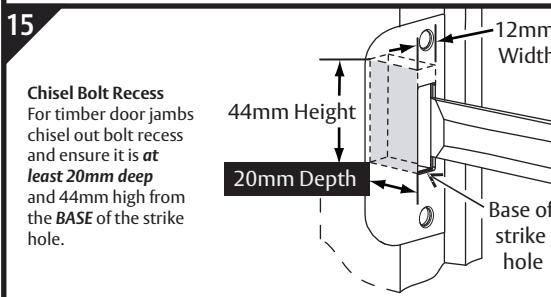
Mark Auxiliary Strike Position
Hold the door against the jamb and mark the door jamb level with the mark on the front of the Auxiliary lock body.



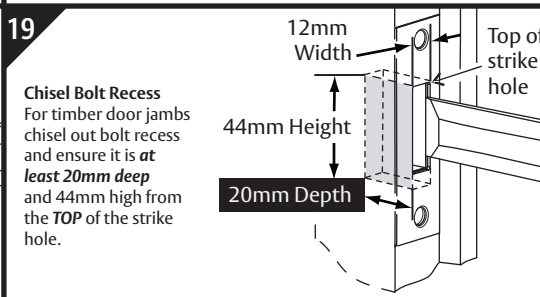
Mark Bolt Recess and Screw Holes
- Align the bottom of the Central strike with the mark just made on the door jamb.
- Face the curved side of the strike outwards, hold strike against the door stop and mark the bolt recess and screw hole positions.



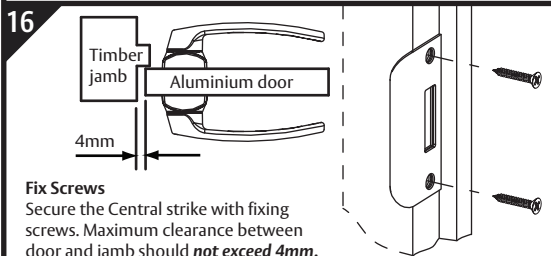
Mark Bolt Recess and Screw Holes
- Align the bottom of the Auxiliary strike with the mark just made on the door jamb.
- Hold strike against the door stop and mark the bolt recess and screw hole positions.



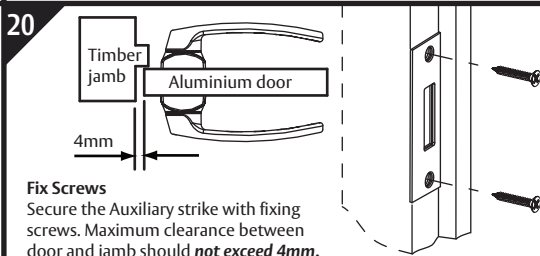
Chisel Bolt Recess
For timber door jambs chisel out bolt recess and ensure it is **at least 20mm deep** and 44mm high from the **BASE** of the strike hole.



Chisel Bolt Recess
For timber door jambs chisel out bolt recess and ensure it is **at least 20mm deep** and 44mm high from the **TOP** of the strike hole.

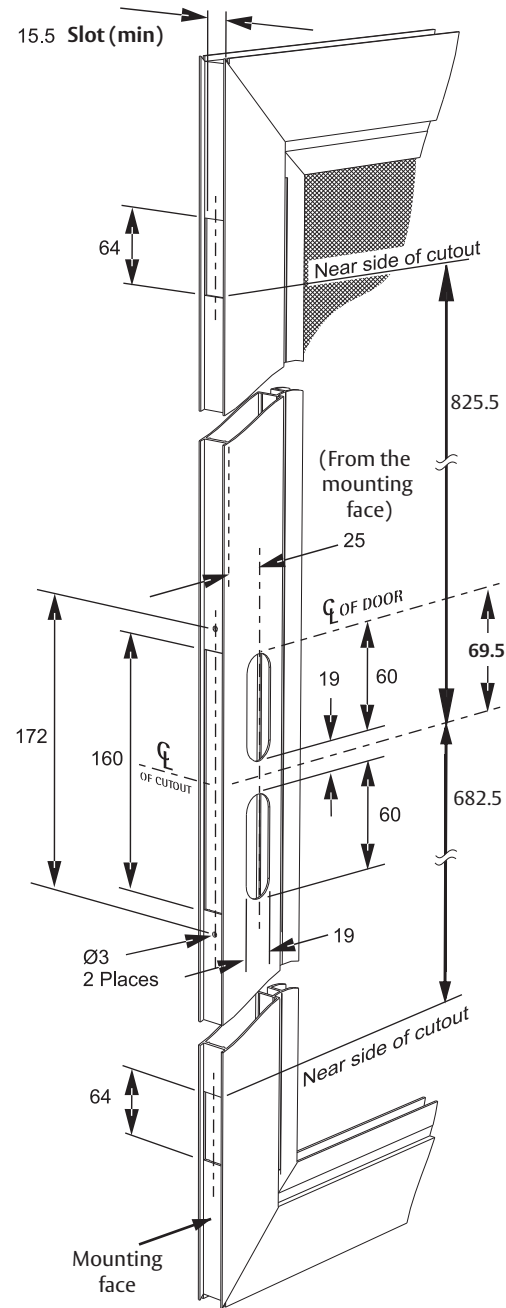


Fix Screws
Secure the Central strike with fixing screws. Maximum clearance between door and jamb should **not exceed 4mm**.



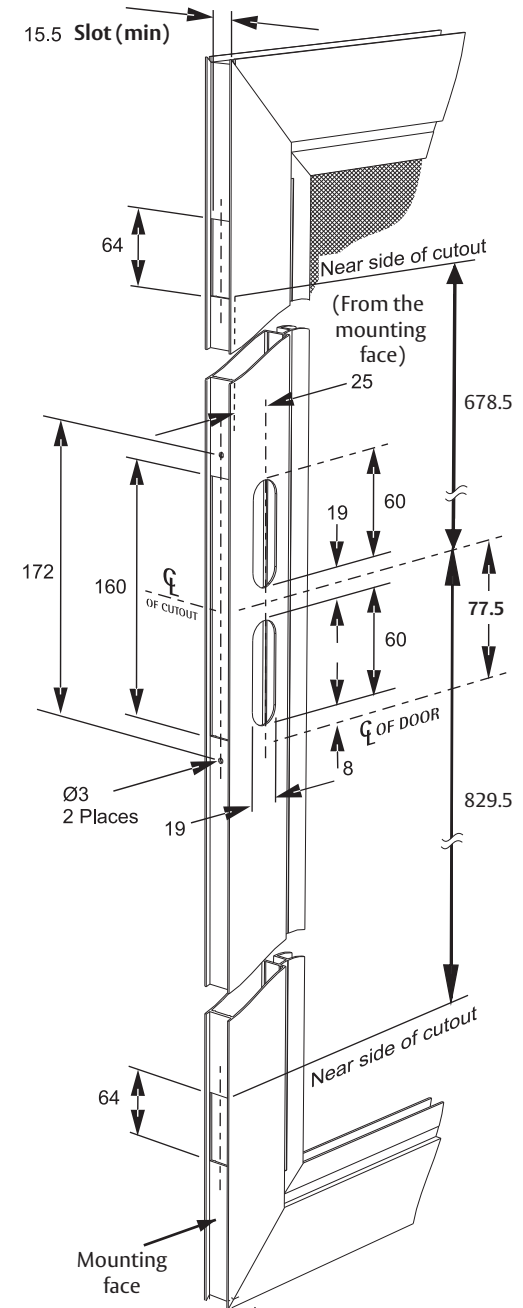
Fix Screws
Secure the Auxiliary strike with fixing screws. Maximum clearance between door and jamb should **not exceed 4mm**.

Mounting handle BELOW centreline of door



Both sides of the door section must be cut to the dimensions given. Start with the centre of door (**CL OF DOOR**) then measure **69.5mm BELOW** and mark the (**CL OF CUTOUT**).

Mounting handle ABOVE centreline of door



Both sides of the door section must be cut to the dimensions given. Start with the centre of door (**CL OF DOOR**) then measure **77.5mm ABOVE** and mark the (**CL OF CUTOUT**).